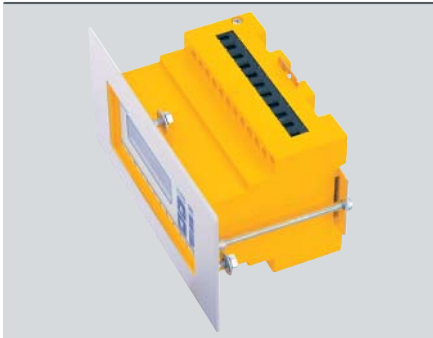


Enclosure mounting



Mounting frame

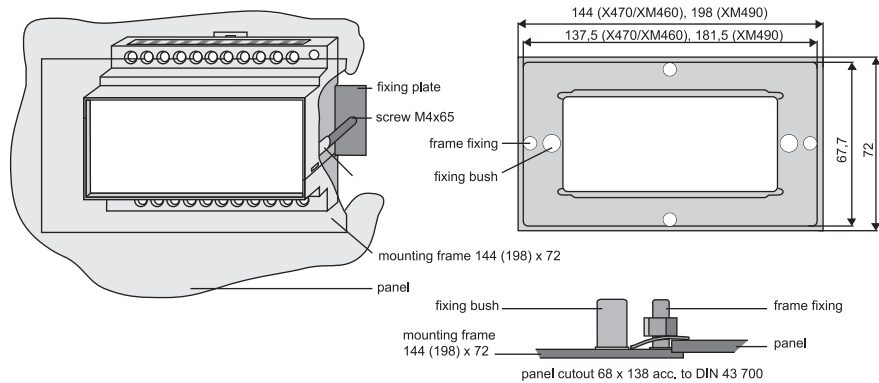
Ordering information

Type	Art. No.
X470 mounting frame	B 990 991
XM460 mounting frame	B 990 995
XM490 mounting frame	B 990 996

Mounting frame for enclosures to be installed into panels with standard cutout

For mounting X470/XM460 enclosures into standard panel cut-outs, 144 x 72 mm, aluminium silver anodized. Suitable for devices of the 470 and 460 series, for example IR470, EDS470, RCMS470, RCMS460 RCM470, RCMA470, RCMS460 and EDS460.

For mounting XM490 enclosures in panel cut-outs, 198 x 72 mm. Suitable for devices, for example RCMS490, EDS490/491. dimensions are given in mm.



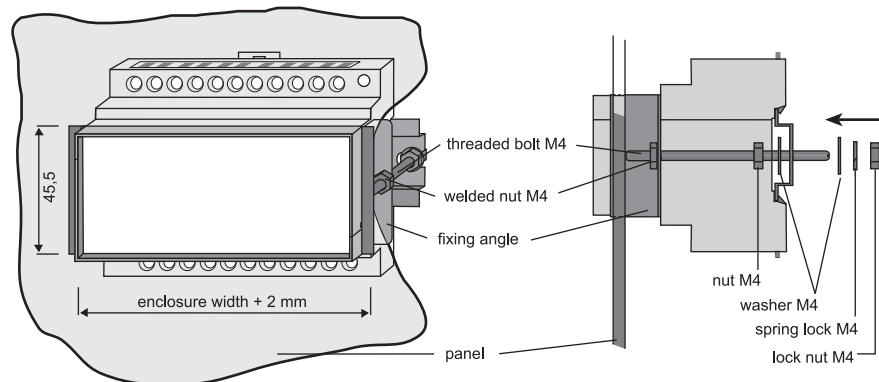
Mounting parts

Ordering information

Type	Art. No.
X470 fixing set	B 990 990

Mounting set for enclosures to be installed into panels with 45 mm cutout

For mounting X440, X460, X470 enclosures into panel cutouts of 45 mm, made of stainless steel. Suitable for all devices of the 470 series, such as RCM470 and RCMA470, dimensions are given in mm.



XM420 Mounting frame

Ordering information

Type	Art. No.
XM420 mounting frame	B 990 994

XM420 mounting frame for enclosures to be installed into panels

For mounting XM420 enclosures into panels. Suitable for all devices of the XM420 series, such as RCM420, RCMA420.

